



L&C

LABELING & CODING

C-MAX™ CONTINUOUS DIGITAL PRINTER

High-Speed Continuous Digital Printing

The C-MAX is a fully digital printing solution built for continuous web applications, printing directly onto moving materials such as foil, paper, PVC, and Tyvek. It supports single color, two color, full color, and Spot UV printing, delivering high quality output for demanding packaging environments.

Ideal for high volume applications like blister lidding, tray packs, and pouches, the C MAX integrates seamlessly into in line and vertical packaging systems. With print speeds up to 100 prints per minute, it keeps pace with fast production lines without sacrificing print quality or consistency.

With integrated vacuum drum web control and Genesis InGEN software, the C-MAX ensures precise print placement while improving efficiency. It enables fast changeovers, reduces material waste, and supports full package printing and late stage customization, helping eliminate the cost and complexity of pre printed materials.



FEATURES AND BENEFITS

- High-speed digital on-demand printing for reduced downtime and eliminates waste and overprinting
- Single color, 4-color, and Spot UV printing capabilities with integrated UV curing system
- Automated print head purging - no wiping required
- Up to 280mm wide print width and 400mm web handling
- Full graphic printing and late stage customization capable
- Excellent print quality on multiple substrates such as paper, foils, paperback foils, tyvek, polyethylene, polypropylene, and other laminates
- Dynamic integrated vacuum drum ensures controlled printing for continuous in-line and vertical packaging productions



Intelligent automatic UV curing system ensures all printed materials are UV cured even under line stoppages.



Dynamic web tensioner provides integrated web handling for continuous and intermittent printing productions.



Seamless integration into blister and lidding packaging equipment for high speed, inline digital printing on moving web materials

GREYDON™ C-MAX™ CONTINUOUS DIGITAL PRINTER

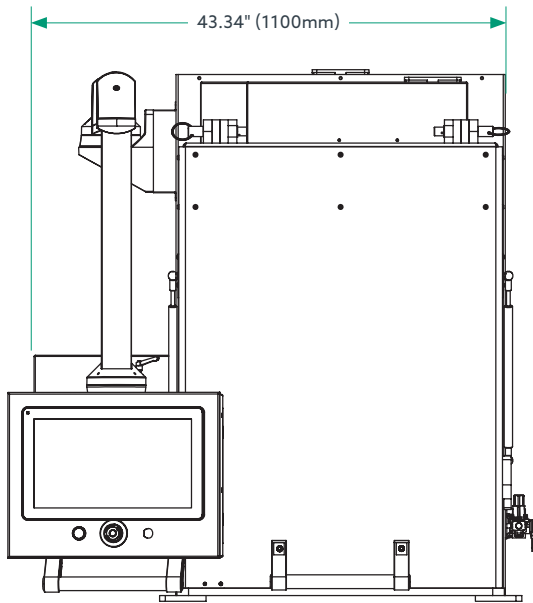
STANDARD PRODUCT SPECIFICATIONS

Printing Capabilities	Single Color / Two-Color / 4-Color CMYK / Spot UV
Print Head Size	72mm Digital Piezo / 360 DPI Native
Maximum Print Heads	Up to 4 (Single Color) / Up to 8 (Two Color) / Up to 16 (Full Color CMYK)
Print Width	Up to 11.02" (280mm) Width / 90.55" (2300mm) Length
Print Speed	Up to 94.48" (2400mm) per/sec (Linear)*
Web Handling	1.96" (50mm) Min. Width / Up to 15.74" (400mm) Max. Width
Voltage	220V AC, 50/60 Hz, 1PH 16A

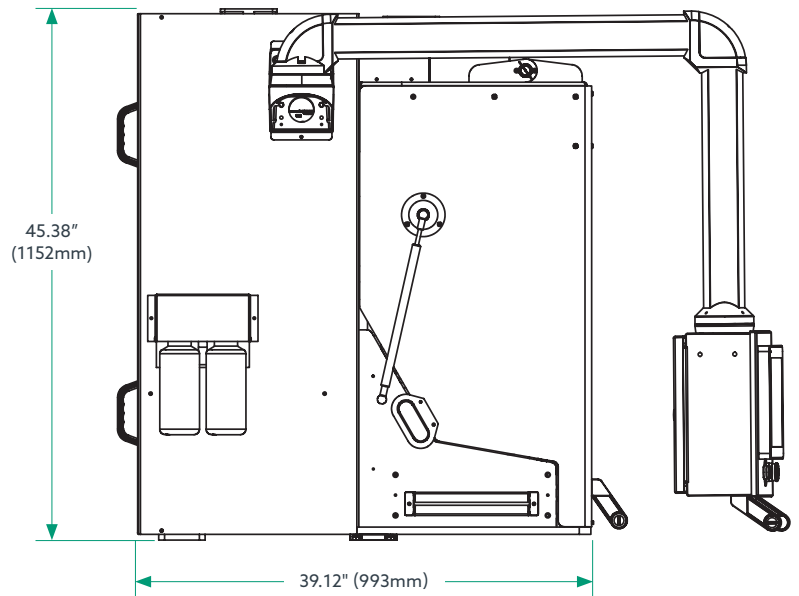
*Print speeds may vary by print resolutions

STANDARD CONFIGURATION

FRONT VIEW



SIDE VIEW



©2026 ProMach Inc. ProMach reserves the right to change or discontinue specifications and designs shown in this brochure without notice or recourse
PM_GREYDON_Spec Sheet_CMAX_042726

PHONE
717-848-3875

EMAIL
Greydon@ProMachBuilt.com

WEB
Greydon.com

1803 Mt Rose Ave Bldgs A-2
York, PA 17403